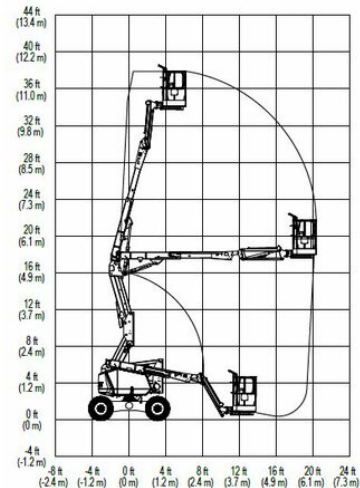


Articulated Boom Lift MT 120HA

Telescope Work Platforms

Product features

- Hybrid drive
- Battery drive/diesel Engine
- non marking tyres
- Basket jib
- Basket rotation



Technical data

Max. Working Height	12.3 m
Max. Platform Height	10.3 m
Slewing	355°
Platform length	1.52 m
Platform width	0.76 m
Capacity	230 kg
Platform rotation	2 x 90°
Transport length	5.6 m
Transport width	1.93 m
Height	2 m
Gross weight	4,610 kg
Drive	Dieselallrad und Batterie
Inclination across	3 °
Inclination along	3 °

SALZBURG Bayernstraße 47, 5071 Wals | Phone 0043 / 662 / 85 45 74 | salzburg@maltech.com

VIENNA Laxenburgerstraße 246B, 1230 Wien | Phone 0043 / 1 / 616 22 44 | wien@maltech.com

GRAZ Industriezeile 1, 8401 Kalsdorf | Phone 0043 / 3135 / 53 202 | graz@maltech.com

HALL IN TYROL Schlöglstraße 24, 6060 Hall in Tirol | Phone 0043 / 5223 / 52 022 | hall@maltech.com

LINZ Gewerbepark 11, 4052 Ansfelden | Phone 0043 / 7229 / 79 655 | linz@maltech.com

ST. PÖLTEN Hugo von Hofmannsthalstraße 4, 3100 St. Pölten | Phone 0043 / 1 / 616 22 44 | stpoelten@maltech.com

GYŐR | DEBRECEN | BUDAPEST | BRATISLAVA | KOSICE